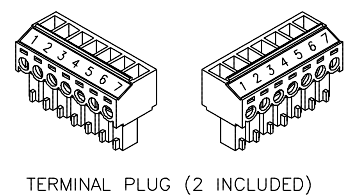
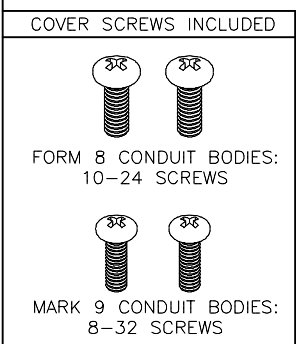
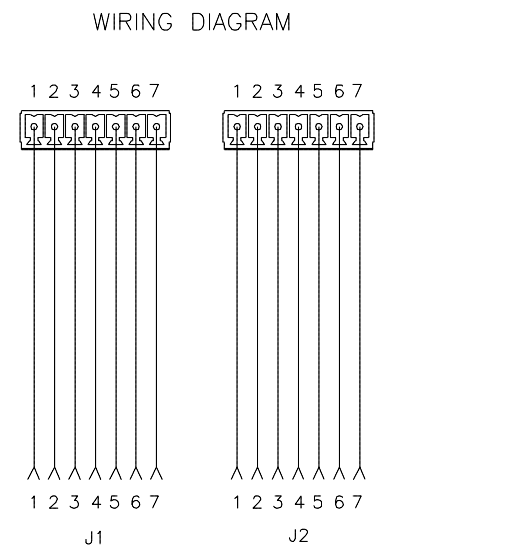
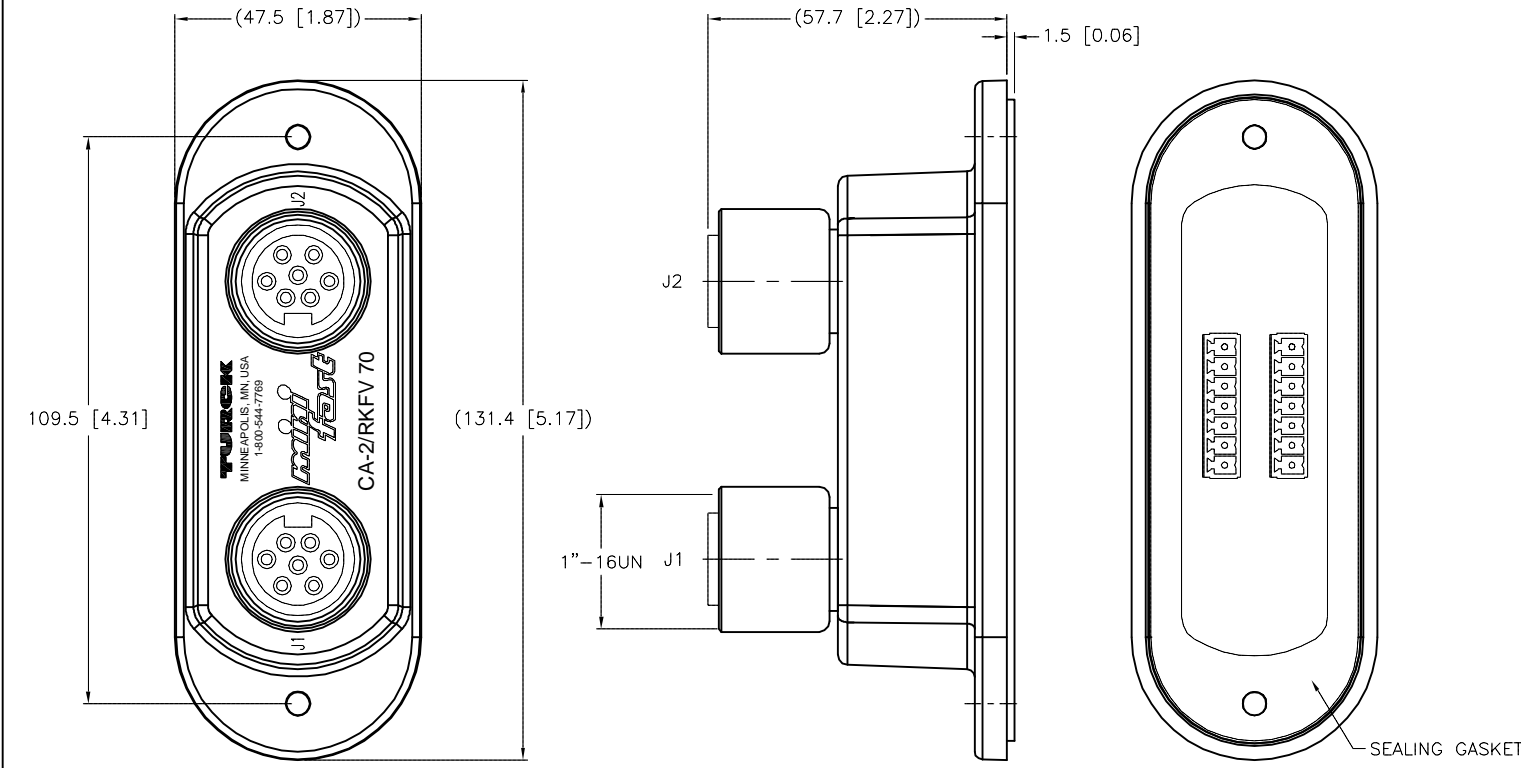


SPECIFICATIONS	
HOUSING MATERIAL/COLOR	NYLON 66 - 33% GLASS FILLED/BLACK
RECEPTACLE HOUSING MATERIAL/FINISH	STAINLESS STEEL/PASSIVATED
CONTACT CARRIER/COLOR	TPU/YELLOW
CONTACT MATERIAL/PLATING	BRASS/GOLD
OPERATING VOLTAGE [V]	300 V
OPERATING CURRENT [A]	4.0 A
PROTECTION CLASS to DIN 40050	IP 67 - ONLY WHEN ALL RECEPTACLES ARE COVERED WITH PLUGS OR CONNECTED
OPERATING TEMPERATURE	-30°C to +80°C (-22°F to +176°F)



SOURCE DRAWING - FOR REFERENCE ONLY

RELATED DOCUMENTS 1. 2. 3. 4.	3RD ANGLE PROJECTION 	THIS DRAWING IS CONFIDENTIAL AND THE PROPERTY OF TURCK INC. USE OF THIS DOCUMENT WITHOUT WRITTEN PERMISSION IS PROHIBITED.		3000 CAMPUS DRIVE MINNEAPOLIS, MN 55441 1-800-544-7769 (763) 553-7300 (763) 553-0708 fax turck.com	
		MATERIAL SEE SPECIFICATIONS	DRFT DD APVD	DATE 10/23/03 SCALE 1=1.5	DESCRIPTION CA-2/RKFV 70
FINISH SEE SPECIFICATIONS	ALL DIMENSIONS DISPLAYED ON THIS DRAWING ARE FOR REFERENCE ONLY CONTACT TURCK FOR MORE INFORMATION	UNIT OF MEASUREMENT MILLIMETER [INCH]		IDENTIFICATION NO. U0943-64	REV E
ADD THICKER GASKET		DO NOT SCALE THIS DRAWING		FILE: U0943-64	SHEET 1 OF 1
ECO NO. 42993	BY RDS	DATE 09/12/13			

REV	DESCRIPTION	BY	DATE	ECO NO.
E	ADD THICKER GASKET	RDS	09/12/13	42993